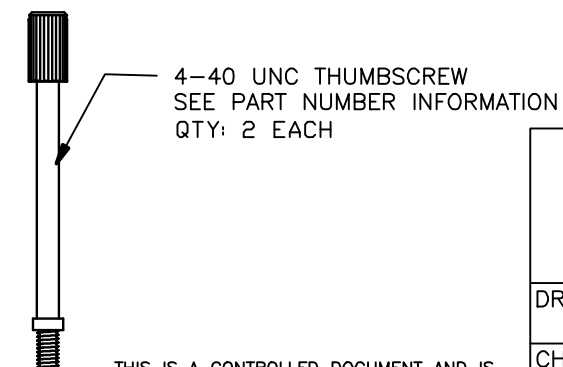
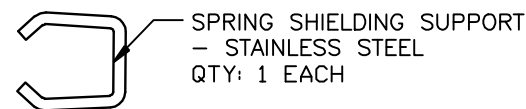
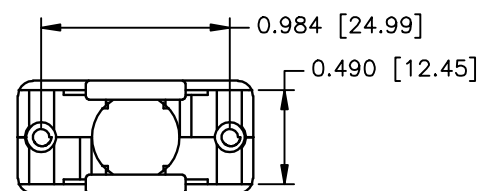
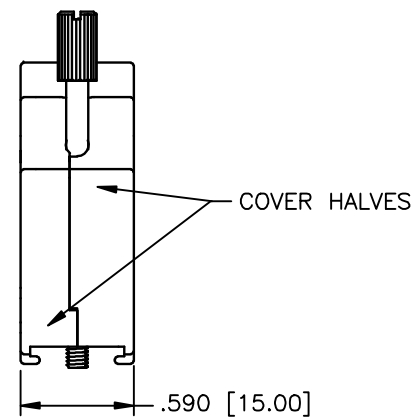
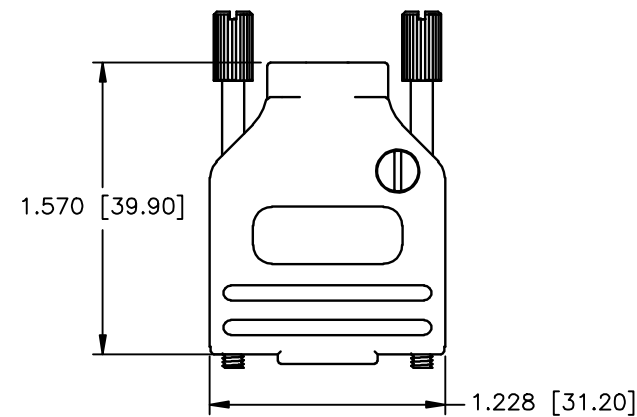


REVISIONS				
ZONE	REV	DESCRIPTION	DATE	APPROVED
	A	ECN 0657	28-JUL-08	
	B	ECN 0784	06-JUN-16	
	C	ECN 0797	17-FEB-17	



THIS IS A CONTROLLED DOCUMENT AND IS SUBJECT TO CHANGE. CONTACT NORTHERN TECHNOLOGIES ENGINEERING FOR THE LATEST REVISION.

PART NUMBER INFORMATION

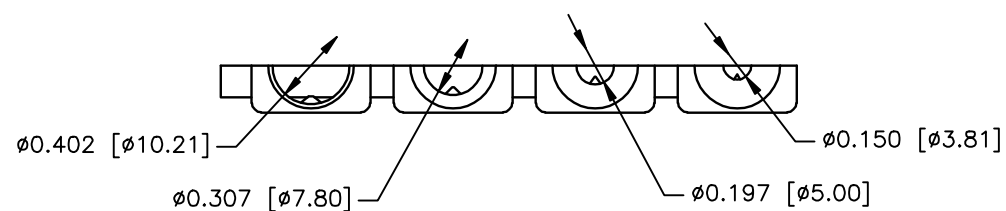
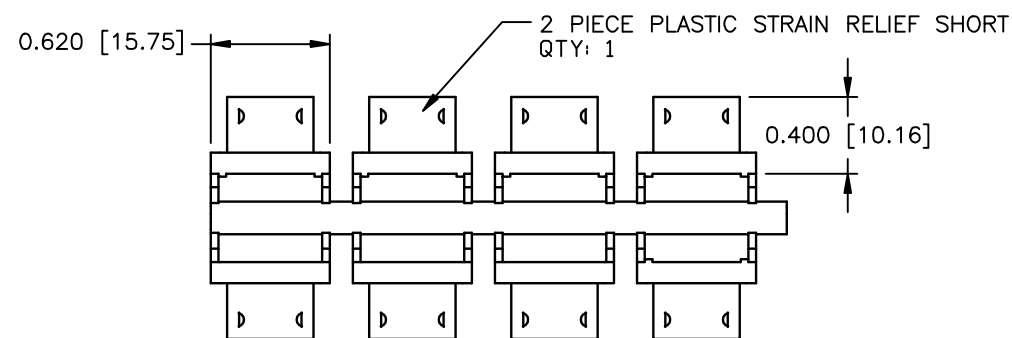
PART#	THUMBSCREW OPTION	SUPPLIED
MHDETZK9BKK	MATERIAL - STEEL FINISH - BLACK	PACKAGED
MHDETZK9BPCK	MATERIAL - STEEL FINISH - CLEAR ZINC CAP - PLASTIC - BLACK	PACKAGED

CONNECTOR COVER:

- 1.MATERIAL: ZINC DIE-CAST
- 2.FINISH: BLACK POLYESTER RESIN
- 3.DIMENSIONS: INCHES [MM]
- 4.TOLERANCE: ±0.015 [0.381]

COMPRESSION INSERT TREE

- 1.MATERIAL: ABS
- 2.COLOR: BLACK
- 3.DUROMETER: 70 - TYPE D
- 4.DIMENSIONS: INCHES [MM]
- 5.TOLERANCE: ±0.015 [0.381]



UNLESS OTHERWISE SPECIFIED		Northern Technologies		
1. ALL DIMENSIONS ARE IN INCHES (MM) 2. DIMENSIONS ARE TYPICAL		THIS DRAWING IS THE PROPERTY OF NORTHERN TECHNOLOGIES AND SHOULD NOT BE REPRODUCED WITHOUT NORTHERN TECHNOLOGIES WRITTEN PERMISSION.		
DRAWN JSD 25-JUL-06		PART NUMBER SEE PART NUMBER INFORMATION		
CHECKED SCN 25-JUL-06		DESCRIPTION CMA 9 STRAIGHT EXIT METAL COVER BLACK		
ISSUED 25-JUL-06		SIZE B	CODE 200_182	REV
		DWG NO. 0002-200-182		
		SCALE N.T.S.	SHEET 1 OF 1	